



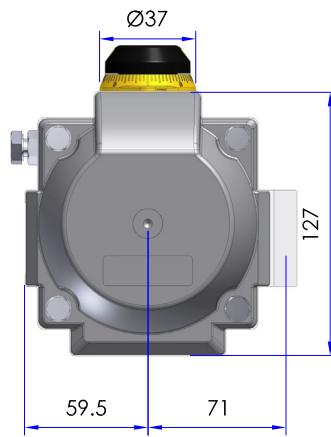
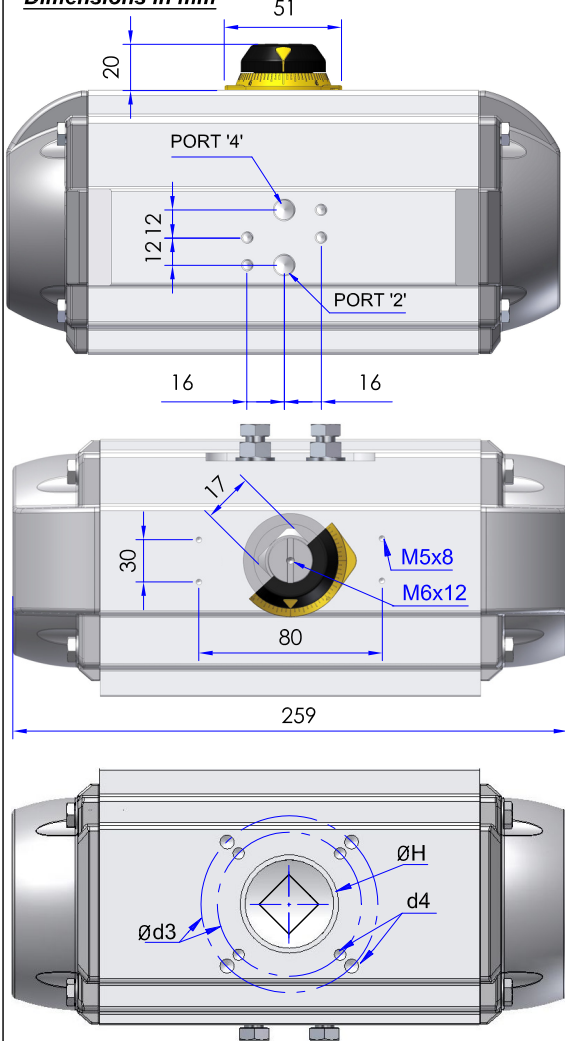
# AIR TORQUE

**AIR TORQUE S.p.A.**  
 via Alla Campagna, N° 1  
 24060 Costa di Mezzate(Bg) Italy  
 Tel.: +39 035 682299  
 Fax: +39 035 687791  
 E-mail: info@airtorque.it

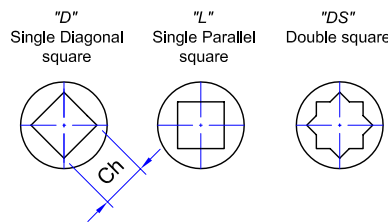
**Model PT300 B**  
**D/S - 90°**

T.D.S. n° **PT300B-DM**  
 Issued on: 05/11 - Page 1/1

**Dimensions in mm**

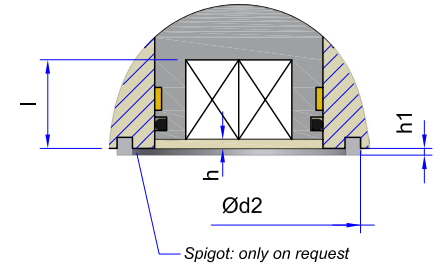


**Optional Square:**



**ISO 5211 Flange Dimensions Available**

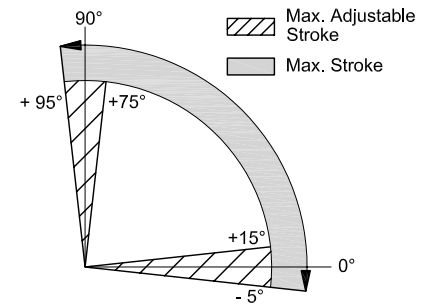
ISO 5211	STD			OPTIONAL	
	F05 + F07 + F10	NA		F07 + F10	NA
Ø d2	40	NA	NA	55	NA
d3	50	70	102	70	102
Ø d4	M6x10	M8x12	M10x15	M8x12	M10x15
Ø H	55			55	
Ch x l min.	14x19 - 17x19 - 22x25				
DS	17x25 - 22x25				
h min.	1,5	1,5	1,5	1,5	1,5
h1	2	NA	NA	2	NA



**Connection / Attachment**

Pressure connection: Port 2 and 4	<b>G1/4"</b>
Ancillary Attachment	<b>AA1</b>

**Rotation and stroke adjustment**



**Output Torque**

Pressure	OUTPUT TORQUE FOR DOUBLE ACTING IN Nm												APPROX. WEIGHT (Kg)
	2,5 bar	3 bar	3,5 bar	4 bar	4,2 bar	4,5 bar	5 bar	5,5 bar	6 bar	7 bar	8 bar		
0° 90°	66,5	79,8	93,1	106	112	120	133	146	160	186	213	5,7	

Pressure	OUTPUT TORQUE FOR SPRING RETURN IN Nm												Spring stroke	APPROX. WEIGHT (Kg)
	2,5 bar	3 bar	3,5 bar	4 bar	4,2 bar	4,5 bar	5 bar	5,5 bar	6 bar	7 bar	8 bar			
Spring	0° 90°	0° 90°	0° 90°	0° 90°	0° 90°	0° 90°	0° 90°	0° 90°	0° 90°	0° 90°	0° 90°	0° 90°	90° 0°	
Set	Start End	Start End	Start End	Start End	Start End	Start End	Start End	Start End	Start End	Start End	Start End	Start End	Start End	
S 05	41,1 27,1	54,4 40,4	67,7 53,7	81 67	86,3 72,3	94,3 80,3	108 93,6						39,4 25,3	6,07
S 06	36,1 19,2	49,4 32,5	62,7 45,8	76 59,1	81,3 64,4	89,3 72,4	103 85,7	116 99					47,3 30,4	6,15
S 07		44,3 24,6	57,6 37,9	70,9 51,2	76,2 56,5	84,2 64,5	97,5 77,8	111 91,1	124 104				55,1 35,5	6,22
S 08			52,5 30	65,8 43,3	71,1 48,7	79,1 56,6	92,4 69,9	106 83,2	119 96,5	146 123			63 40,5	6,30
S 09				60,8 35,5	66 40,8	74 48,8	87,3 62,1	101 75,3	114 88,6	141 115	167 142		70,9 45,6	6,37
S 10						69 40,9	82,3 54,2	95,6 67,5	109 80,8	135 107	162 134		78,8 50,7	6,45
S 11							77,2 46,3	90,5 59,6	104 72,9	130 99,5	157 126		86,7 55,7	6,52
S 12								85,4 51,7	98,7 65	125 91,6	152 118		94,5 60,8	6,60

**Technical Data**

Max. Pressure	Rotation (For STD)	Screw stroke Adjustment	Chamber φ (mm)	Air Volume (L)		Moving Time (Sec.) (A)	
				Opening	Closing	Opening	Closing
8 bar	0° - 90°	For 1° adj. need 1/5 Turn	100	0,71	1,11	D 0,50 S 0,70	D 0,60 S 0,90

**Operating Temperature Range**

Operating Temperature (°C) (B)		
ST (standard)	HT (high temperature)	LLT (Extreme low temperature)
-40 to +80	-15 to +150	-55 to +80

A) - The above indicated moving time of the actuator is obtained in the following test conditions: (1) Room Temperature, (2) Actuator Stroke 90°, (3) Solenoid Valve with Orifice of 4 mm and a flow capacity Qn 400 L/min., (4) Inside pipe diameter 8 mm, (5) Medium clean air, (6) Air supply pressure 5,5 bar (79,75 Psi), (7) Actuator without external resistance load. **Caution: obviously on the field applications when one or more of the above parameters are different, the moving time will be different.**

B) - Every temperature range option requires proper components and lubricant. See technical data-sheet N° T.D.S. PTB00501E.

**Operating Medium:**

The operating medium must be free of dust and oil. The maximum particle size must not exceed 30µ (ISO 8573 Part1, Class5). In order to prevent water condensation and/or solidification (ice when actuator works below 0°C), the operating medium must have a dew point equal to -20°C or at least 10°C below the ambient temperature (ISO 8573 Part1, Class3).